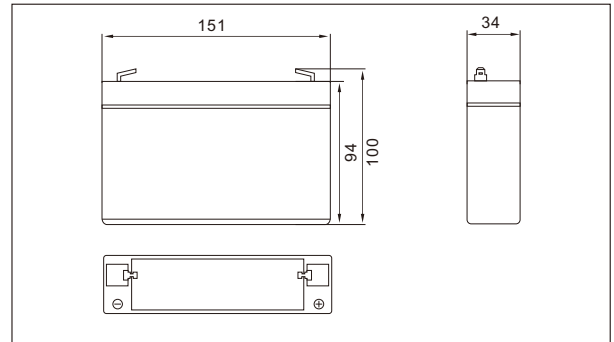




# SW670(6V7.0AH)



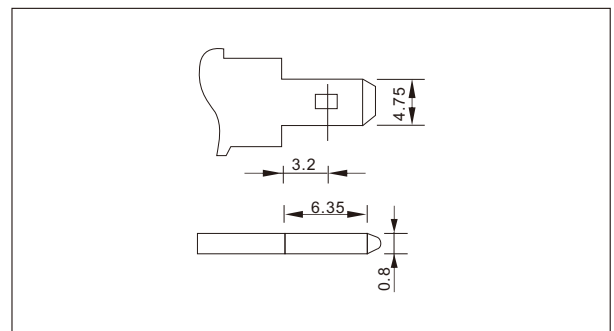
### Outer dimensions (mm)



### Specifications

Nominal Voltage		6 V
Rated capacity (20 hour rate)		7.0 Ah
Dimensions	Total Height	100 mm(3.94 inches)
	Height	94 mm(3.70 inches)
	Length	151 mm(5.94 inches)
	Width	34 mm(1.34 inches)
Weight Approx		1.10 Kg(2.42 lbs)

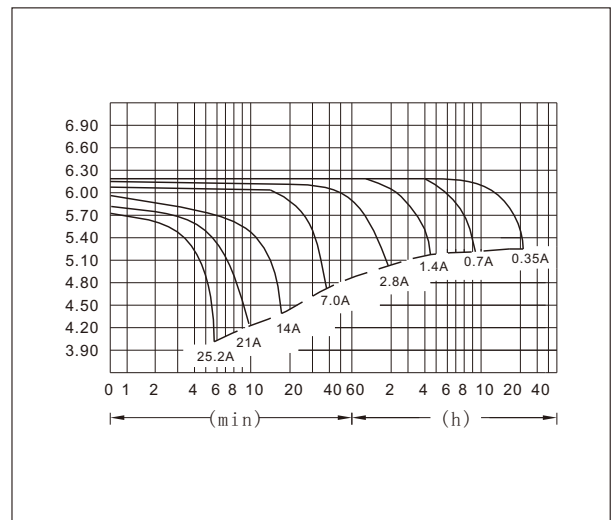
### Terminal Type (mm)



### Characteristics

Capacity 25°C(77°F)	20 hour rate(0.35A)	7.00 AH
	10 hour rate(0.64A)	6.40 AH
	5 hour rate(1.20A)	6.00 AH
	1 hour rate(4.20A)	4.20 AH
	1.5 hour discharge to 5.25 V	2.8 A
Internal Resistance	Full charged Battery at 25°C(77°F)	12 mΩ
Capacity affected by Temperature (20hour rate)	40°C(104°F)	102%
	25°C(77°F)	100%
	0°C(32°F)	85%
	-15°C(5°F)	65%
Self-Discharge at 25°C(77°F)	Capacity after 3 month storage	91%
	Capacity after 6 month storage	82%
	Capacity after 12 month storage	64%
Terminal		T1, T2
Charge (constant Voltage)	Cycle	Initial Charging Current less than 2.80A Voltage 7.05-7.20 V
	Float	Voltage 6.75-6.90 V

### Discharge Curves 25°C(77°F)



Constant Current(Amp) and Constant Power(Watt) Discharge Table at 25°C(77°F)

Time	5min	10min	15min	30min	1h	2h	3h	4h	5h	8h	10h	20h
4.80V	A	25.2	15.8	12.3	8.05	4.20	2.45	1.80	1.45	1.23	0.81	0.36
	W	148.6	93.3	70.6	42.7	24.2	14.2	10.4	8.4	7.1	4.7	2.10
5.10V	A	23.1	15.5	11.3	7.64	3.94	2.35	1.75	1.40	1.20	0.80	0.35
	W	139.9	91.9	66.4	42.4	22.8	13.6	10.1	8.1	7.0	4.6	2.04
5.25V	A	21.4	14.8	10.5	7.41	3.82	2.30	1.72	1.33	1.20	0.79	0.35
	W	135.0	85.8	63.4	42.0	22.1	13.3	10.0	7.7	6.9	4.6	2.03
5.40V	A	19.5	14.1	9.8	7.07	3.69	2.25	1.69	1.31	1.14	0.77	0.34
	W	128.9	83.1	61.1	41.9	21.4	13.1	9.8	7.6	6.6	4.4	1.98
5.55V	A	16.9	13.3	9.1	6.58	3.56	2.19	1.60	1.28	1.09	0.75	0.33
	W	100.5	80.4	58.2	41.6	21.1	13.0	9.6	7.6	6.5	4.2	1.97