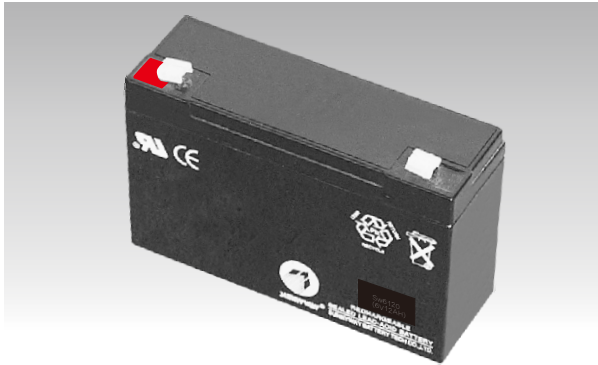




# SW6120(6V12AH)



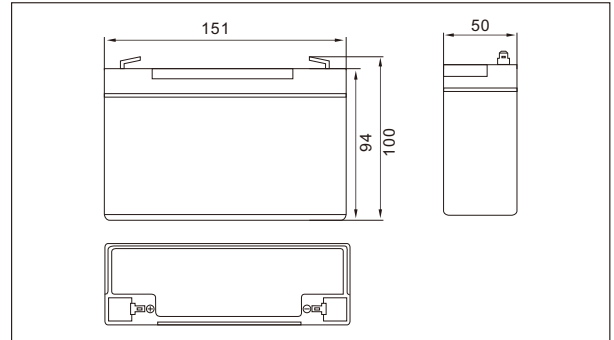
### Specifications

Nominal Voltage		6 V
Rated capacity (20 hour rate)		12 Ah
Dimensions	Total Height	100 mm(3.94 inches)
	Height	94 mm(3.70 inches)
	Length	151 mm(5.94 inches)
	Width	50 mm(1.97 inches)
Weight Approx		1.70 Kg(3.74 lbs)

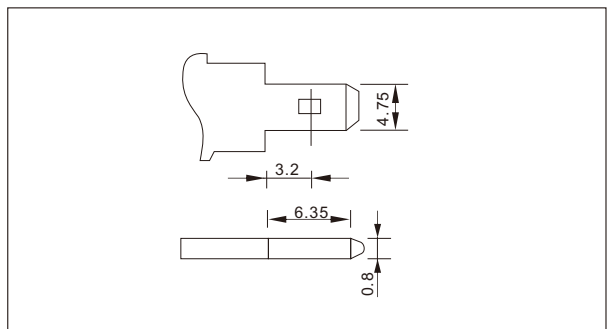
### Characteristics

Capacity 25°C(77°F)	20 hour rate(0.60A)	12.0 AH
	10 hour rate(1.10A)	11.0 AH
	5 hour rate(2.04A)	10.2 AH
	1 hour rate(7.20A)	7.20 AH
	1.5 hour discharge to 5.25 V	4.8 A
Internal Resistance	Full charged Battery at 25°C(77°F)	10 mΩ
Capacity affected by Temperature (20hour rate)	40°C(104°F)	102%
	25°C(77°F)	100%
	0°C(32°F)	85%
	-15°C(5°F)	65%
Self-Discharge at 25°C(77°F)	Capacity after 3 month storage	91%
	Capacity after 6 month storage	82%
	Capacity after 12 month storage	64%
Terminal		T1、T2
Charge (constant Voltage)	Cycle	Initial Charging Current less than 4.8 A Voltage 7.05-7.20 V
	Float	Voltage 6.75-6.90 V

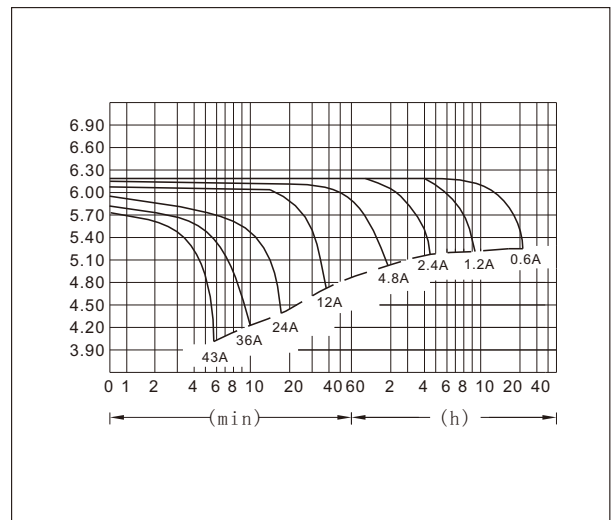
### Outer dimensions (mm)



### Terminal Type (mm)



### Discharge Curves 25°C(77°F)



Constant Current(Amp) and Constant Power(Watt) Discharge Table at 25°C(77°F)

Time		5min	10min	15min	30min	1h	2h	3h	4h	5h	8h	10h	20h
4.80V	A	43.2	27.1	21.0	13.8	7.20	4.20	3.09	2.48	2.11	1.39	1.13	0.62
	W	254.7	160.0	121.0	73.2	41.5	24.3	17.9	14.4	12.2	8.0	6.6	3.60
5.10V	A	39.6	26.5	19.3	13.1	6.76	4.03	3.00	2.40	2.06	1.37	1.1	0.61
	W	239.7	157.5	113.7	72.8	39.0	23.3	17.4	13.9	12.0	7.9	6.5	3.50
5.25V	A	36.7	25.3	18.0	12.7	6.54	3.95	2.95	2.28	2.04	1.35	1.10	0.60
	W	231.5	147.0	108.8	72.0	37.8	22.9	17.1	13.2	11.9	7.8	6.4	3.48
5.40V	A	33.4	24.2	16.8	12.1	6.32	3.85	2.90	2.24	1.95	1.31	1.07	0.59
	W	221.0	142.5	104.7	71.7	36.8	22.4	16.9	13.0	11.4	7.5	6.3	3.40
5.55V	A	28.9	22.8	15.6	11.3	6.10	3.75	2.75	2.20	1.87	1.28	1.05	0.57
	W	172.2	137.7	99.8	71.3	36.3	22.2	16.4	13.0	11.1	7.2	6.1	3.38