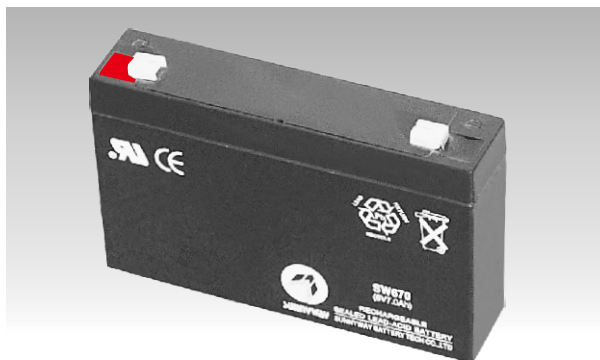
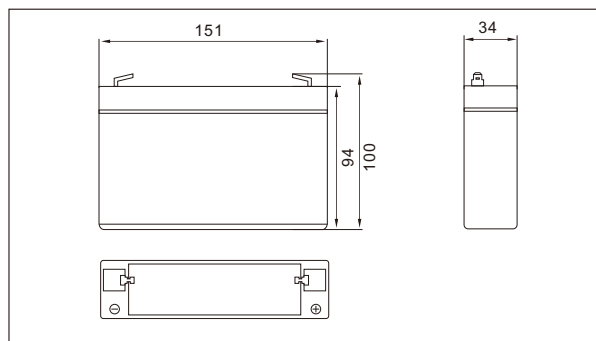




SW670E(6V7.0AH)



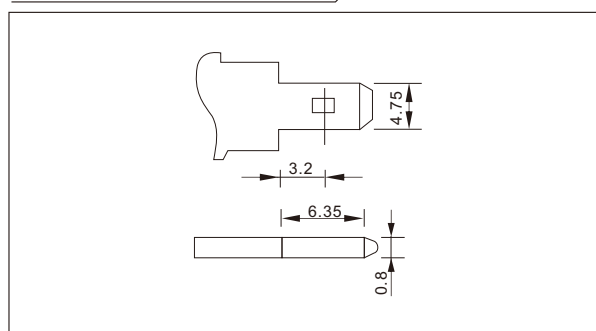
Outer dimensions (mm)



Specifications

| | | |
|-------------------------------|-------------------|---------------------|
| Nominal Voltage | 6 V | |
| Rated capacity (20 hour rate) | 7.0 Ah | |
| Dimensions | Total Height | 100 mm(3.94 inches) |
| | Height | 94 mm(3.70 inches) |
| | Length | 151 mm(5.94 inches) |
| | Width | 34 mm(1.34 inches) |
| Weight Approx | 1.07 Kg(2.40 lbs) | |

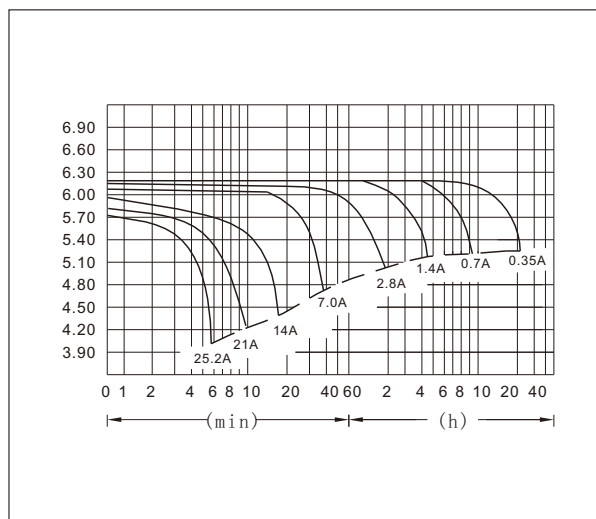
Terminal Type (mm)



Characteristics

| | | |
|--|------------------------------------|---|
| Capacity 25°C(77°F) | 20 hour rate(0.35A) | 7.00 AH |
| | 10 hour rate(0.64A) | 6.40 AH |
| | 5 hour rate(1.20A) | 6.00 AH |
| | 1 hour rate(4.20A) | 4.20 AH |
| | 1.5 hour discharge to 5.25 V | 2.8 A |
| Internal Resistance | Full charged Battery at 25°C(77°F) | 12 mΩ |
| Capacity affected by Temperature (20hour rate) | 40°C(104°F) | 102% |
| | 25°C(77°F) | 100% |
| | 0°C(32°F) | 85% |
| | -15°C(5°F) | 65% |
| | Self-Discharge at 25°C(77°F) | Capacity after 3 month storage |
| | Capacity after 6 month storage | 82% |
| | Capacity after 12 month storage | 64% |
| Terminal | T1, T2 | |
| Charge (constant Voltage) | Cycle | Initial Charging Current less than 2.80A Voltage 7.05-7.20 V |
| | Float | Voltage 6.75-6.90 V |

Discharge Curves 25°C(77°F)



Constant Current(Amp) and Constant Power(Watt) Discharge Table at 25°C(77°F)

| Time | 5min | 10min | 15min | 30min | 1h | 2h | 3h | 4h | 5h | 8h | 10h | 20h |
|-------|------|-------|-------|-------|------|------|------|------|------|------|------|------|
| 4.80V | A | 25.2 | 15.8 | 12.3 | 8.05 | 4.20 | 2.45 | 1.80 | 1.45 | 1.23 | 0.81 | 0.36 |
| | W | 148.6 | 93.3 | 70.6 | 42.7 | 24.2 | 14.2 | 10.4 | 8.4 | 7.1 | 4.7 | 2.10 |
| 5.10V | A | 23.1 | 15.5 | 11.3 | 7.64 | 3.94 | 2.35 | 1.75 | 1.40 | 1.20 | 0.80 | 0.35 |
| | W | 139.9 | 91.9 | 66.4 | 42.4 | 22.8 | 13.6 | 10.1 | 8.1 | 7.0 | 4.6 | 2.04 |
| 5.25V | A | 21.4 | 14.8 | 10.5 | 7.41 | 3.82 | 2.30 | 1.72 | 1.33 | 1.20 | 0.79 | 0.35 |
| | W | 135.0 | 85.8 | 63.4 | 42.0 | 22.1 | 13.3 | 10.0 | 7.7 | 6.9 | 4.6 | 2.03 |
| 5.40V | A | 19.5 | 14.1 | 9.8 | 7.07 | 3.69 | 2.25 | 1.69 | 1.31 | 1.14 | 0.77 | 0.34 |
| | W | 128.9 | 83.1 | 61.1 | 41.9 | 21.4 | 13.1 | 9.8 | 7.6 | 6.6 | 4.4 | 1.98 |
| 5.55V | A | 16.9 | 13.3 | 9.1 | 6.58 | 3.56 | 2.19 | 1.60 | 1.28 | 1.09 | 0.75 | 0.33 |
| | W | 100.5 | 80.4 | 58.2 | 41.6 | 21.1 | 13.0 | 9.6 | 7.6 | 6.5 | 4.2 | 1.97 |