



## SW61900(6V190AH)



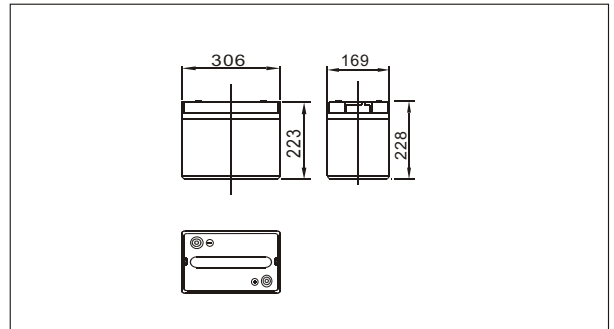
### Specifications

Nominal Voltage		6V
Rated capacity (10 hour rate)		190 Ah
Dimensions	Total Height	228 mm (8.97 inches)
	Height	223 mm (8.77 inches)
	Length	306 mm (12.04 inches)
	Width	169 mm (6.63 inches)
Weight Approx		27.5 Kg

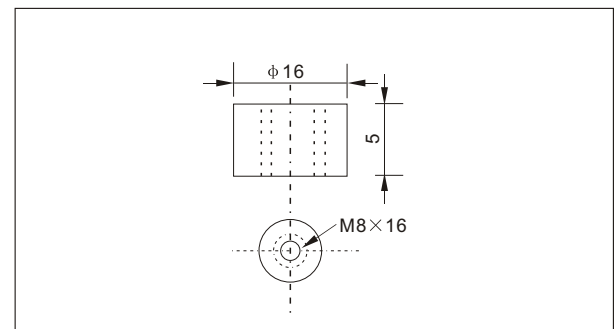
### Characteristics

Capacity 25°C(77°F)	10 hour rate(19A) 5 hour rate(30.4A) 1 hour rate(114 A)	190 AH 152 AH 114 AH
Internal Resistance	Full charged Battery at 25°C(77°F)	Approx 1.0 mΩ
Capacity affected by Temperature (10hour rate)	40°C(104°F) 25°C(77°F) 0°C(32°F) -15°C(5°F)	102% 100% 85% 65%
Self-Discharge at 25°C(77°F)	Capacity after 3 month storage Capacity after 6 month storage Capacity after 12 month storage	91% 82% 64%
Terminal	T19	
Charge (constant Voltage)	Cycle	Initial Charging Current less than 76 A Voltage 7.05-7.20V
	Float	Voltage 6.75-6.90V

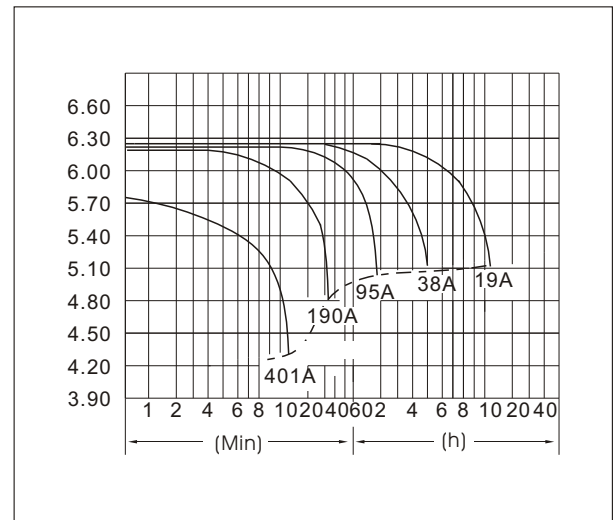
### Outer dimensions (mm)



### Terminal Type (mm)



### Discharge Curves 25°C(77°F)



**Constant Current(Amp) and Constant Power(Watt) Discharge Table at 25°C(77°F)**

Time		5min	10min	15min	30min	1h	2h	3h	4h	5h	8h	10h	20h
4.80V	A	609	401	323	217	114	67	49	38	31	22	20	11
	W	3140	2141	1733	1164	616	365	272	214	178	127	115	63
5.10V	A	589	362	304	207	107	63	48	37	31	22	20	10
	W	3147	2020	1703	1162	606	366	275	215	179	127	115	61
5.25V	A	570	324	266	194	104	62	46	36	30	21	19	10
	W	3113	1840	1519	1115	601	359	270	213	178	126	114	62
5.40V	A	549	305	247	179	100	60	45	36	30	21	19	10
	W	3083	1758	1425	1035	584	354	267	212	175	124	113	61
5.55V	A	531	286	228	160	97	59	44	35	29	20	18	10
	W	3011	1655	1329	934	570	348	260	208	172	122	109	59