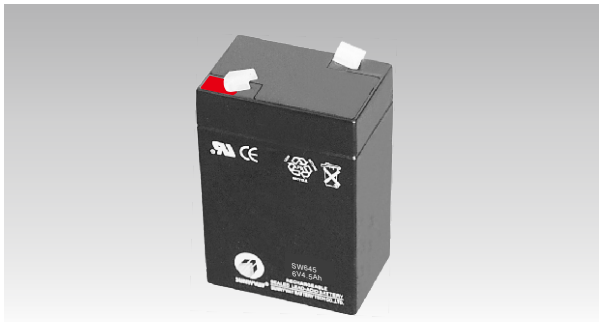
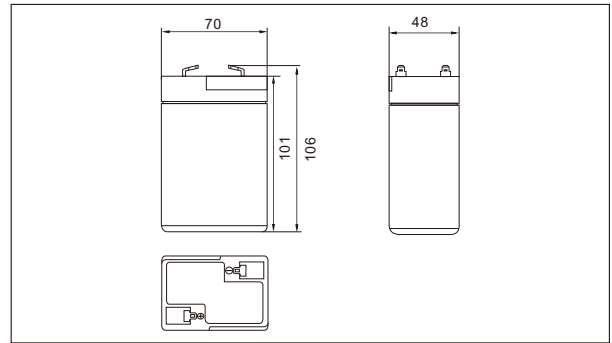




# SW645(6V4.5AH)



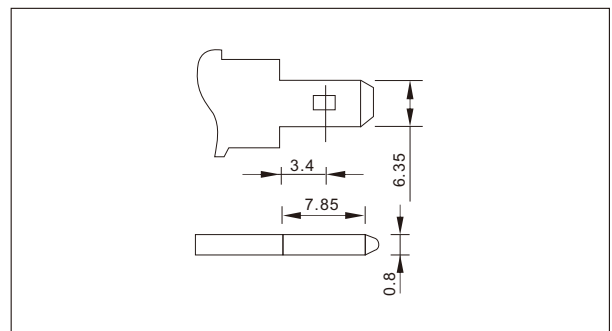
## Outer dimensions (mm)



## Specifications

Nominal Voltage	6 V	
Rated capacity (20 hour rate)	4.5 Ah	
Dimensions	Total Height	106 mm(4.17 inches)
	Height	101 mm(3.98 inches)
	Length	70 mm(2.76 inches)
	Width	48 mm(1.89 inches)
Weight Approx	0.75 Kg(1.65 lbs)	

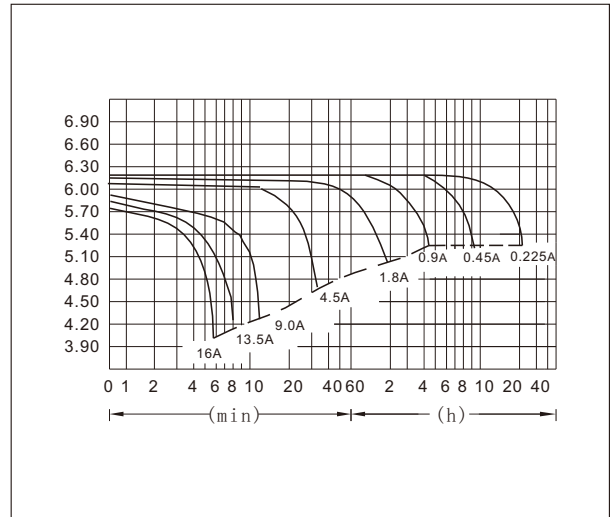
## Terminal Type (mm)



## Characteristics

Capacity 25°C(77°F)	20 hour rate(0.225A)	4.50 AH
	10 hour rate(0.41A)	4.10 AH
	5 hour rate(0.76A)	3.80 AH
	1 hour rate(2.70A)	2.70 AH
	1.5 hour discharge to 5.25 V	1.8 A
Internal Resistance	Full charged Battery at 25°C(77°F)	31 mΩ
Capacity affected by Temperature (20hour rate)	40°C(104°F)	102%
	25°C(77°F)	100%
	0°C(32°F)	85%
	-15°C(5°F)	65%
Self-Discharge at 25°C(77°F)	Capacity after 3 month storage	91%
	Capacity after 6 month storage	82%
	Capacity after 12 month storage	64%
Terminal	T1	
Charge (constant Voltage)	Cycle	Initial Charging Current less than 1.35A Voltage 7.05-7.20 V
	Float	Voltage 6.75-6.90 V

## Discharge Curves 25°C(77°F)



Constant Current(Amp) and Constant Power(Watt) Discharge Table at 25°C(77°F)

Time		5min	10min	15min	30min	1h	2h	3h	4h	5h	8h	10h	20h
		4.80V	A	16.20	10.15	7.88	5.18	2.70	1.58	1.16	0.93	0.79	0.52
	W	95.5	60.0	45.4	27.5	15.6	9.1	6.70	5.38	4.57	3.01	2.47	1.35
5.10V	A	14.85	9.94	7.24	4.91	2.53	1.51	1.13	0.90	0.77	0.51	4.18	0.23
	W	89.9	59.1	42.7	27.3	14.6	8.7	6.52	5.21	4.48	2.96	2.42	1.31
5.25V	A	13.77	9.50	6.75	4.76	2.45	1.48	1.11	0.86	0.77	0.51	0.41	0.23
	W	86.8	55.1	40.8	27.0	14.2	8.6	6.40	4.95	4.45	2.93	2.40	1.30
5.40V	A	12.54	9.08	6.30	4.55	2.37	1.44	1.09	0.84	0.73	0.49	0.40	0.22
	W	82.9	53.4	39.3	26.9	13.8	8.4	6.33	4.89	4.26	2.81	2.34	1.28
5.55V	A	10.85	8.55	5.85	4.23	2.29	1.41	1.03	0.82	0.70	0.48	0.39	0.21
	W	64.6	51.7	37.4	26.7	13.6	8.3	6.14	4.88	4.16	2.72	2.30	1.27